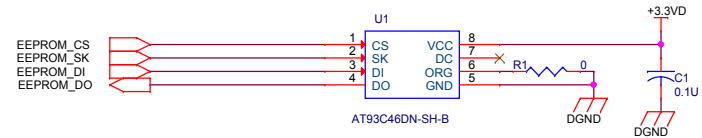
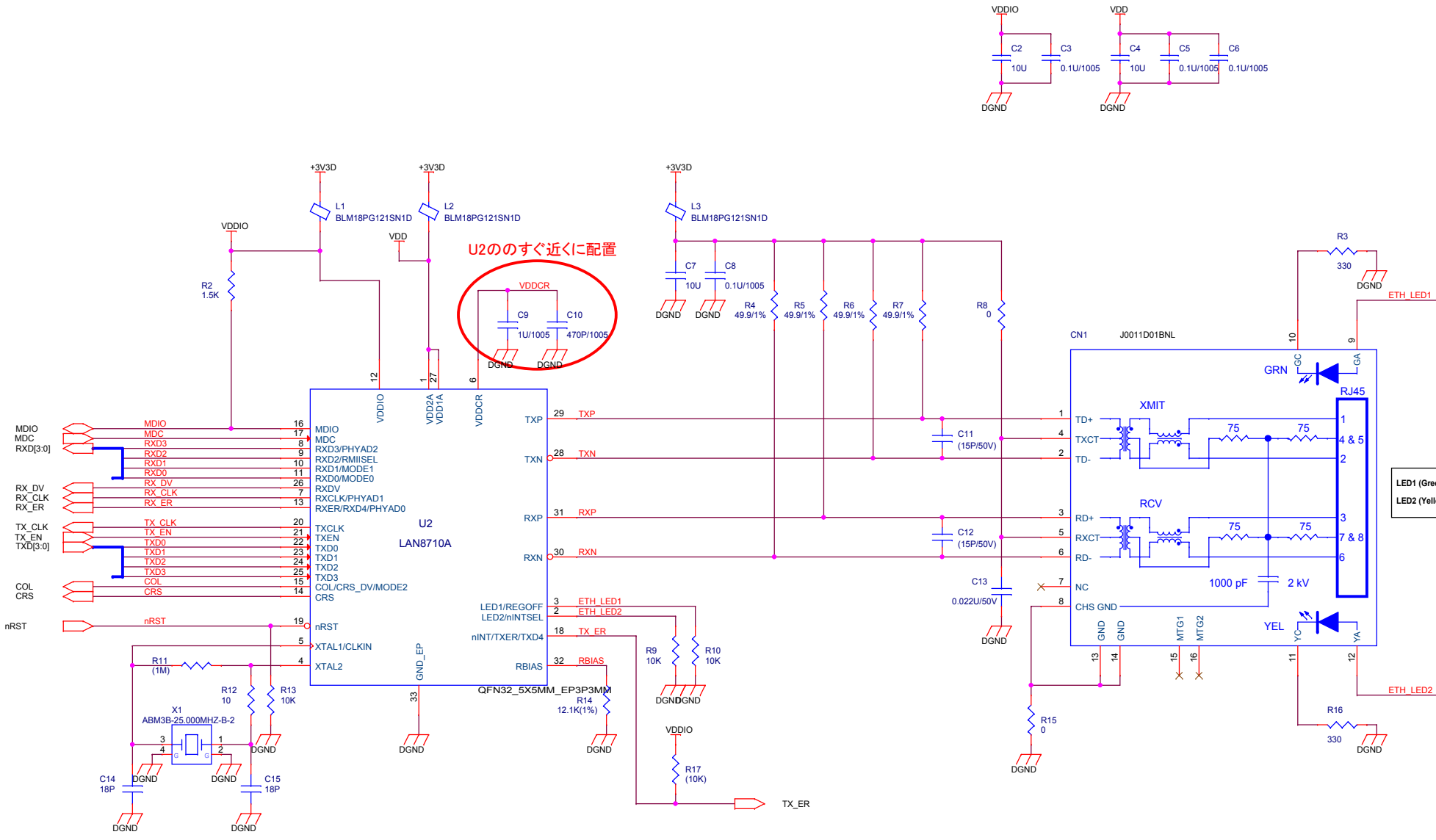


FPGAに接続する
FPGA VIO=3.3V



HIGH ENERGY ACCELERATOR RESEARCH ORGANIZATION, KEK			
Title		MIVEEPROM	
Size	Document Number	Rev	
A3	KEK-Z4OCT2012-00	3.1	
Date:	Thursday, October 25, 2012	Sheet	2 of 3



U2のすぐ近くに配置

LED1 (Green) = LINK/ACT
LED2 (Yellow) = SPEED